

PEFS Series

Firefighter Switch (P2) 1~10 Strings



High Craftsmanship AND High Standards



Max 1500V
Max 50A



Arc Fault protection
(Optional)



PID recovery
(Optional)



Flame retardant
UL94-V0



Easy Installation



Physical isolation



Outdoor installation
IP65

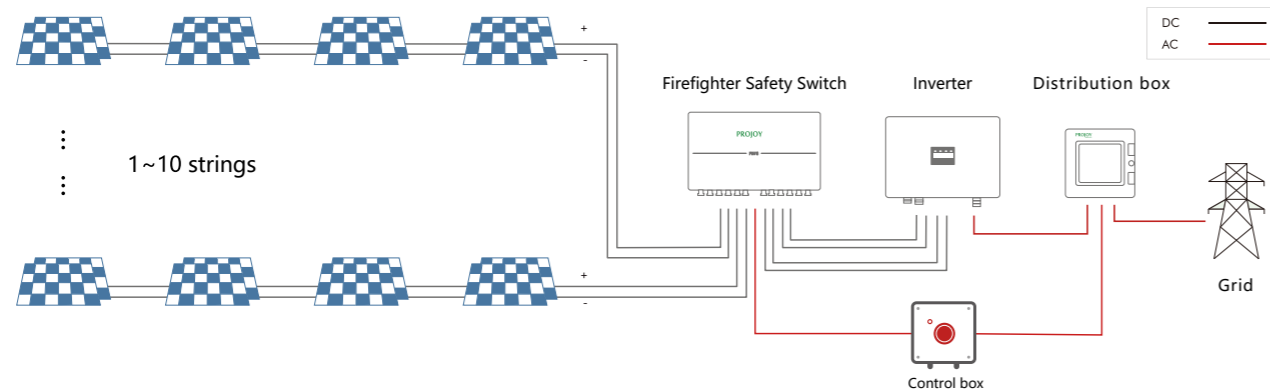


Over temperature
protection > 70°C



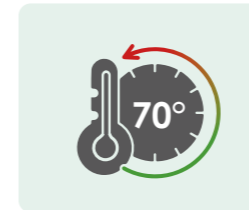
FB1 FB2
function achieves
external monitoring

Diagram

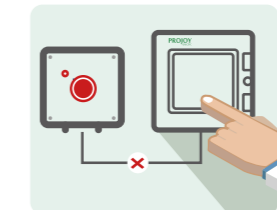


Tripping ways

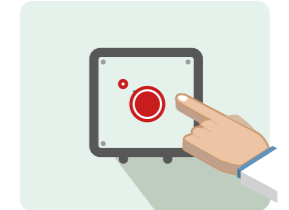
By temperature



By AC Power cut-off



By Manual



Technical data

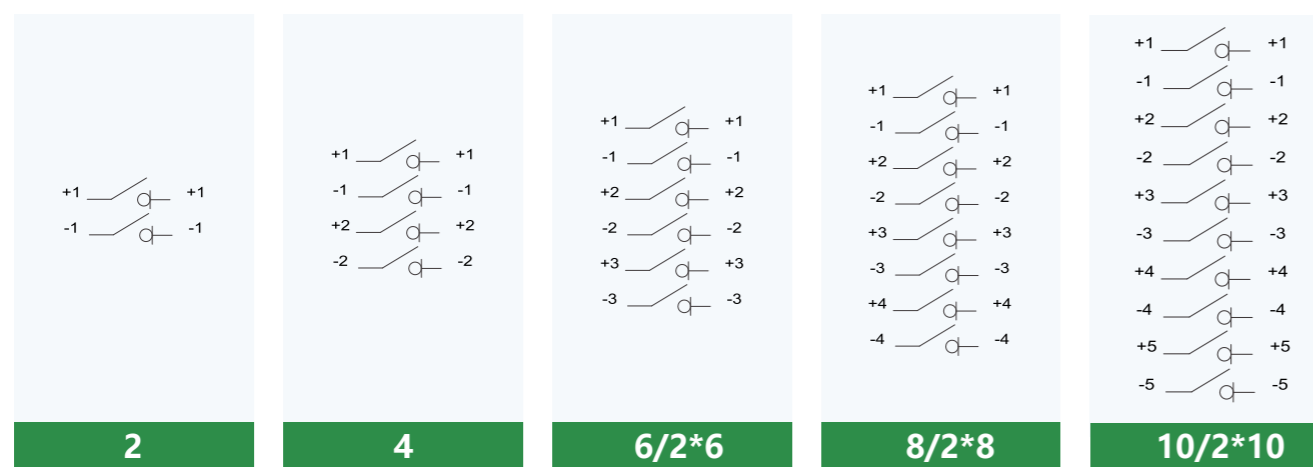
Technical Parameter	1-2 strings	3-5 strings	6-10 strings
Main Parameters			
System voltage (Vdc)	300~1500		
Max current (A)	50		
Number of strings	1/2	3/4/5	6/8/10
Poles	2/4	6/8/10	12/16/20
Operating voltage	100Vac - 270Vac		
Nominal voltage	230Vac		
Nominal current	30mA	30mA	60mA
Operating temperature	-40°C - +70°C		
Automatically switch off by temperature	+70°C		
FB1 FB2 function (Standard configuration)	Contact Capacity: 250VAC,16A		
Storage temperature	-40°C - +85°C		
Ingress protection level	IP66	IP65	
Protection level	Class II		
Certification	CE		
Regulations compliance	EN 60947-1&3		
Mechanical life	10000		
Electrical life	>1500		
PID recovery function	/	optional	optional
Arc fault protection	/	optional	optional

Technical data

PID Recovery Module Spec (optional)		
AC Input	Static Power	<0.5W
	Operating Power	3.75W
	Max. Power	8.75W
DC Output	Rated Output Voltage To Ground	600V
	Rated Output Current	3.3mA
	Max. Short Circuit Current	6.7mA
PV Modules And Inverter Requirements	Max. System Volatage	1500V
	Module Type Required	P Crystalline Silicon Type
	Minimum Insulating Impendance	200kΩ
Other Info	Operating temperature Range	-20°C ~ +60°C
	Operating Relative Humidity	0% ~ 98%
	Max. Altitude Without Derating	4000m

Data of PEFS refer to built-in DC isolators. Data according to IEC60947-3(ed.3.2):2015. Utilization category DC-PV1.						1-10 strings	Part Number
300V	600V	800V	1000V	1200V	1500V		
16A	16A	16A	9A	6A	3A	2/4/6/8/10/12/16/20	PEFS-EL16-Y-P2
25A	25A	22A	11A	8A	4A	2/4/6/8/10/12/16/20	PEFS-EL25-Y-P2
32A	32A	26A	13A	10A	5A	2/4/6/8/10/12/16/20	PEFS-EL32-Y-P2
40A	40A	30A	20A	15A	13A	2/4/6/8/10/12/16/20	PEFS-EL40-Y-P2
55A	55A	45A	33A	33A	18A	2/4/6/8/10/12/16/20	PEFS-EL55-Y-P2
40A	40A	40A	40A	30A	20A	2/4/6/8/10/12/16/20	PEFS-EL40H-Y-P2
50A	50A	50A	50A	40A	30A	2/4/6/8/10/12/16/20	PEFS-EL50H-Y-P2

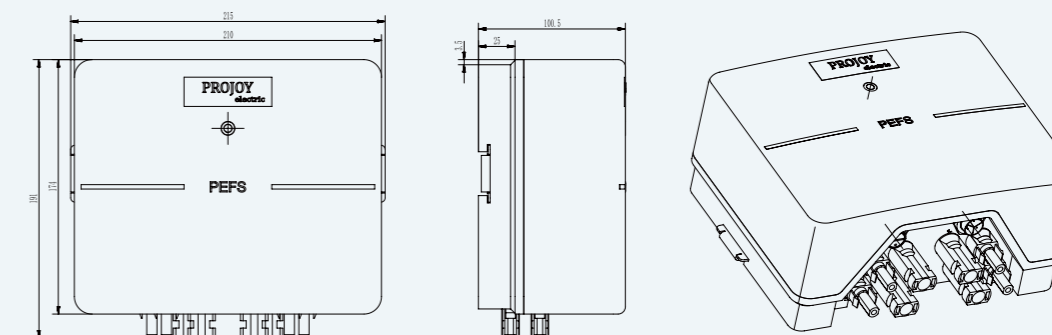
Contact Configuration



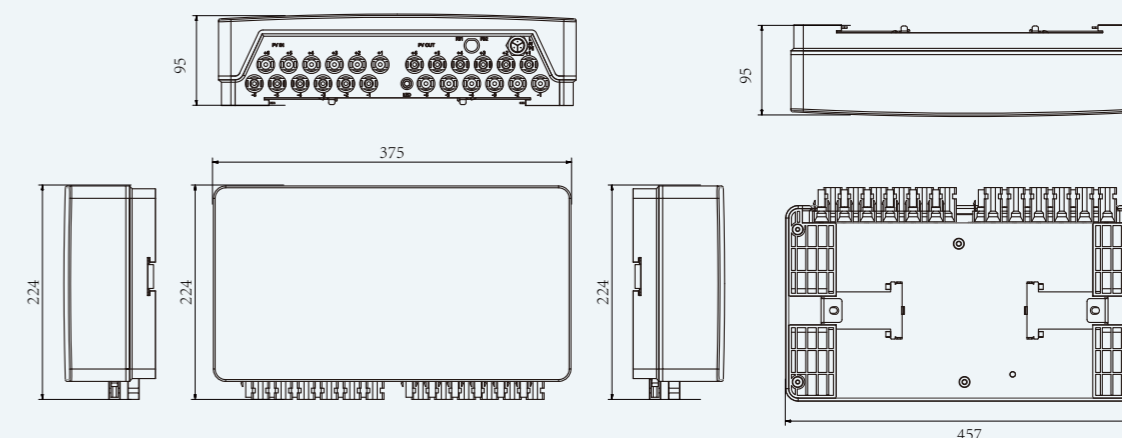
Dimensions

1-2 strings

Unit: mm



3-5 strings



6-10 strings

